

OKELI®



中山市奥克莱灯饰有限公司
OKELI LIGHTING CO.,LTD
☎ 0086-760-87619872
✉ okeli@neworb.cn
🌐 www.okelilamp.com
📍 No.36 ChangAn North Road,Henglan Town,
Zhongshan City,Guangdong,China
广东省中山市横栏镇长安北路36号

2024

OKELI SOLAR

LED BULKHEAD
SOLAR WALL LIGHT
LED FLOOD LIGHT
SOLAR FLOOD LIGHT
LED STREET LIGHT
SOLAR STREET LIGHT



OKELI[®]
LIGHTING

We are OKELI

OKELI Lighting Co.,Ltd., established in 2010, is one of the large lighting enterprises, integrated with design, research, manufacturing and marketing, and our products range cover both residential and commercial lighting field. Our manufacturing plant covers an area over 30000 m², with the completed manufacturing chain from raw material to finished product, and we are capable to provide big producing capacity; We are strictly following ISO9001 management system, and all our products are made according to CE, VDE etc. quality standard. We've built up international top standard laboratory to assure technical study and innovation, and our global design team with strong technical capacity and rich experience are capable to fulfill both OEM and ODM requirement from our customers, and we've kept gaining many patents and intellectual property rights. With continuously growing, our products are mostly appreciated by global buyers, and "OKEL" brand has been expanded rapidly all over the world.

INDEX

OKELI SOLOR

01 LED BULKHEAD 02-37



UT-90-00101
➔ 02



UT-90-00102
➔ 04



UT-90-00103
➔ 06



UT-90-00201
➔ 08



UT-90-00202
➔ 10



UT-90-00203
➔ 12



UT-90-00204
➔ 14



UT-90-00205
➔ 16



UT-90-00206
➔ 18



UT-90-00301
➔ 20



UT-90-00401
➔ 22



UT-90-00501
➔ 24



UT-90-00502
➔ 26



UT-90-00601
➔ 28



UT-90-00602
➔ 28



UT-90-00702
➔ 30



UT-90-00802
➔ 32



UT-50-00101
➔ 34



UT-90-00902
➔ 34

02 LED SOLAR WALL LIGHT 36-48



UT-63-01601
➔ 36



UT-63-01701
➔ 37



UT-63-01609
➔ 38



UT-63-01701
➔ 39



UT-63-01801
➔ 40



UT-63-01901
➔ 41



UT-63-02001
➔ 42



UT-63-02101
➔ 44



UT-63-02201
➔ 46



UT-63-02301
➔ 48

03 LED FLOOD LIGHT 50-72



UT-50-00101
➔ 50



UT-50-01401
➔ 52



UT-50-01501
➔ 54



UT-50-01601
➔ 56



UT-50-01701
➔ 58



UT-50-01801
➔ 60



UT-50-01901
➔ 62



UT-50-00301
➔ 64



UT-50-00501
➔ 66



UT-50-01101
➔ 68

03 LED FLOOD LIGHT 50-72



UT-50-02301
⇒ 70



UT-50-02401
⇒ 72



UT-50-02601
⇒ 74



UT-50-02701
⇒ 76



UT-50-02801
⇒ 78



UT-50-02901
⇒ 80



UT-50-03001
⇒ 82



UT-50-03301
⇒ 84

04 SOLAR FLOOD LIGHT 74-88



UT-50-02001
⇒ 86



UT-50-02101
⇒ 88



UT-50-02201
⇒ 90



UT-50-02301
⇒ 92



UT-50-02401
⇒ 94



UT-50-00701
⇒ 96



UT-50-00801
⇒ 98



UT-50-01201
⇒ 100



UT-50-03101
⇒ 102



UT-50-03201
⇒ 104

04 SOLAR FLOOD LIGHT 50-72



UT-50-03401
⇒ 106



UT-50-03401
⇒ 108

05 LED STREET LIGHT 90-110



UT-60-00101
⇒ 110



UT-60-02501
⇒ 112



UT-60-02601
⇒ 114



UT-60-02701
⇒ 116



UT-60-02801
⇒ 118



UT-60-02901
⇒ 120



UT-60-03001
⇒ 122



UT-60-03101
⇒ 124



UT-60-01401
⇒ 126



UT-60-01501
⇒ 128



UT-60-03501
⇒ 130



UT-60-04101
⇒ 132

06 SOLAR STREET LIGHT 112-140



UT-60-00601
☎ 134



UT-60-03201
☎ 136



UT-60-03301
☎ 138



UT-60-03401
☎ 140



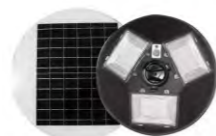
UT-60-00701
☎ 142



UT-60-00801
☎ 144



UT-60-01101
☎ 146



UT-60-01201
☎ 148



UT-60-01301
☎ 150



UT-60-02001
☎ 152



UT-60-02101
☎ 154



UT-60-02201
☎ 156



UT-60-03601
☎ 158



UT-60-03701
☎ 160



UT-60-03801
☎ 162



UT-60-03901
☎ 164



UT-60-04001
☎ 166



UT-62-00001
☎ 168



UT-62-00002
☎ 170



UT-70-00101
☎ 172



UT-90-00101

Product Description

input: AC85-240V 50/60Hz

Colour: Black/White



UT-90-00101

Materials: Aluminum+PC CRI > 80 CCT:3000K/6000K PF > 0.5 Lumens:110LM/W IP Rating: IP65

Wattage: 1+1+5w

Dimension(mm): 180*61*78mm



UT-90-00102

Product Description

input: AC85-240V 50/60Hz

Colour: Black/White



UT-90-00102

Materials: Aluminum+PC CRI > 80 CCT:3000K/6000K PF > 0.5 Lumens:110LM/W IP Rating: IP65

Wattage: 1+1+5w

Dimension(mm): 172*86*75mm



UT-90-00103

Product Description

input: AC85-240V 50/60Hz

Colour: Black/White

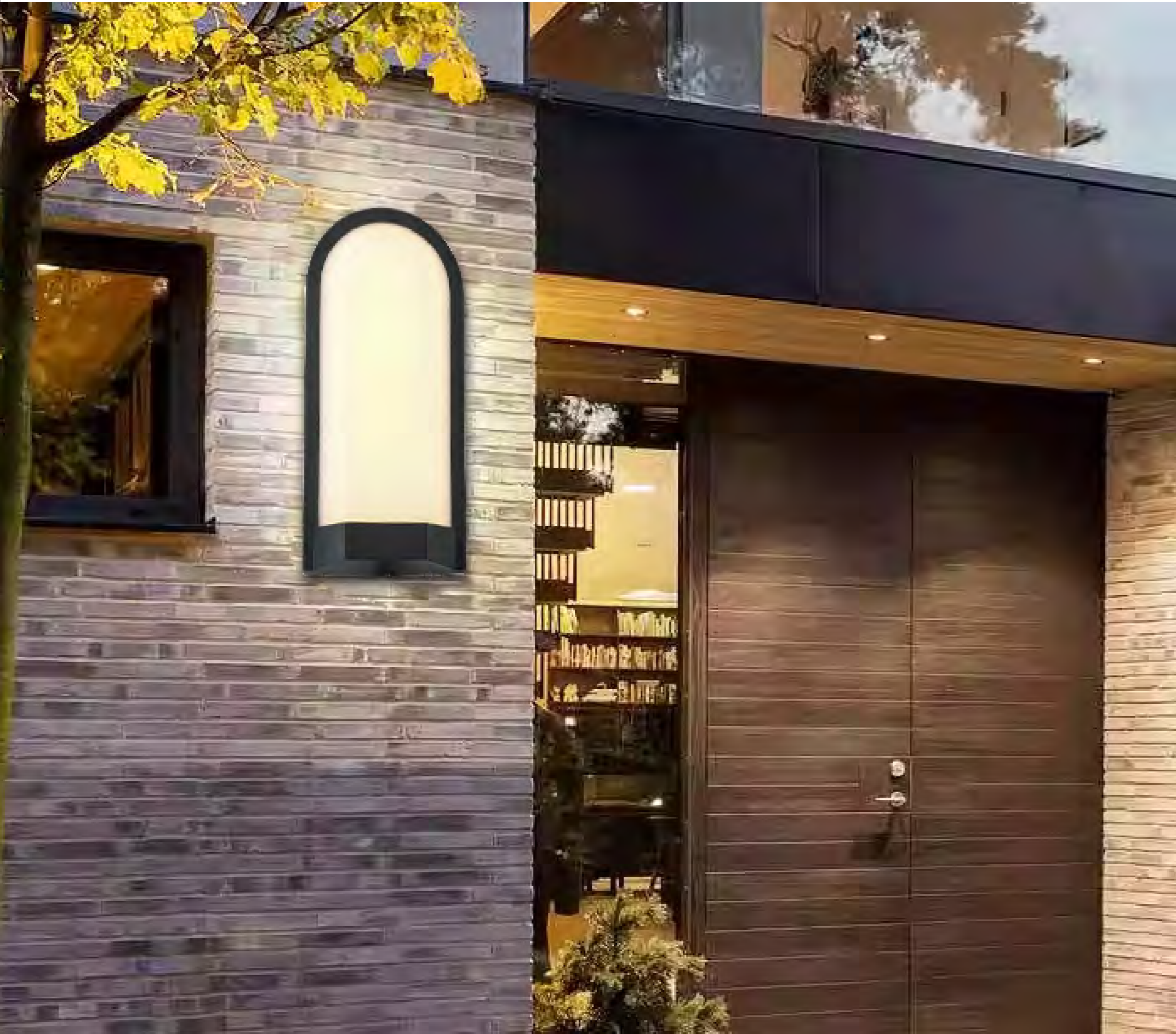


UT-90-00103

Materials: Aluminum+PC CRI > 80 CCT:3000K/6000K PF > 0.5 Lumens:110LM/W IP Rating: IP65

Wattage: 1+1+5w

Dimension(mm): 150*86*81mm



UT-90-00201

Product Description

input: AC85-240V 50/60Hz
 Colour: Black/White



UT-90-00201

Materials: Aluminum+PC CRI > 80 CCT:3000K/6000K PF > 0.5 Lumens:110LM/W IP Rating: IP65

Wattage: 12W

Dimension(mm): 250*108*50mm



UT-90-00202

Product Description

input: AC85-240V 50/60Hz

Colour: Black/White



UT-90-00202

Materials: Aluminum+PC CRI > 80 CCT:3000K/6000K PF > 0.5 Lumens:110LM/W IP Rating: IP65

Wattage: 12W

Dimension(mm): 230*100*44mm



UT-90-00203

Product Description

input: AC85-240V 50/60Hz

Colour: Black/White



UT-90-00203

Materials: Aluminum+PC CRI > 80 CCT:3000K/6000K PF > 0.5 Lumens:110LM/W IP Rating: IP65

Wattage: 12W

Dimension(mm): 231*101*60mm



UT-90-00204

Product Description

input: AC85-240V 50/60Hz

Colour: Black/White



UT-90-00204

Materials: Aluminum+PC CRI > 80 CCT:3000K/6000K PF > 0.5 Lumens:110LM/W IP Rating: IP65

Wattage: 2*5W

Dimension(mm): 240*60*55mm



UT-90-00205

Product Description

input: AC85-240V 50/60Hz

Colour: Black/White



UT-90-00205

Materials: Aluminum+PC CRI > 80 CCT:3000K/6000K PF > 0.5 Lumens:110LM/W IP Rating: IP65

Wattage: 12W

Dimension(mm): 260*110*55mm



UT-90-00206

Product Description

input: AC85-240V 50/60Hz

Colour: Black/White



UT-90-00206

Materials: Aluminum+PC CRI > 80 CCT:3000K/6000K PF > 0.5 Lumens:110LM/W IP Rating: IP65

Wattage: 11W

Dimension(mm): 220*80*70mm

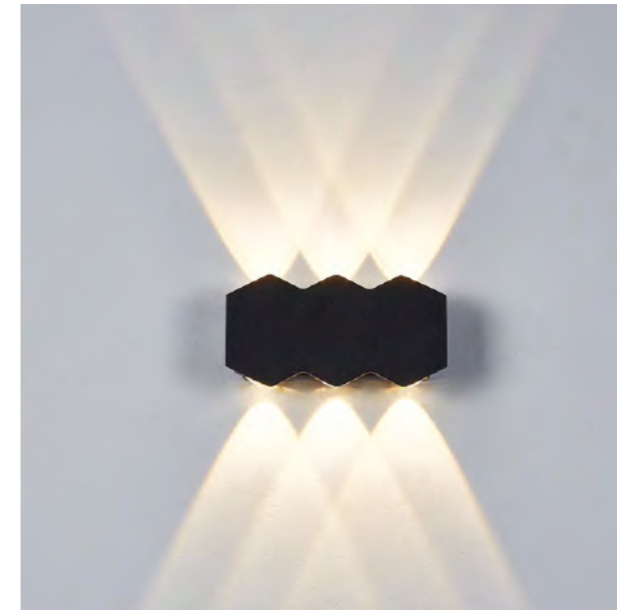


UT-90-003

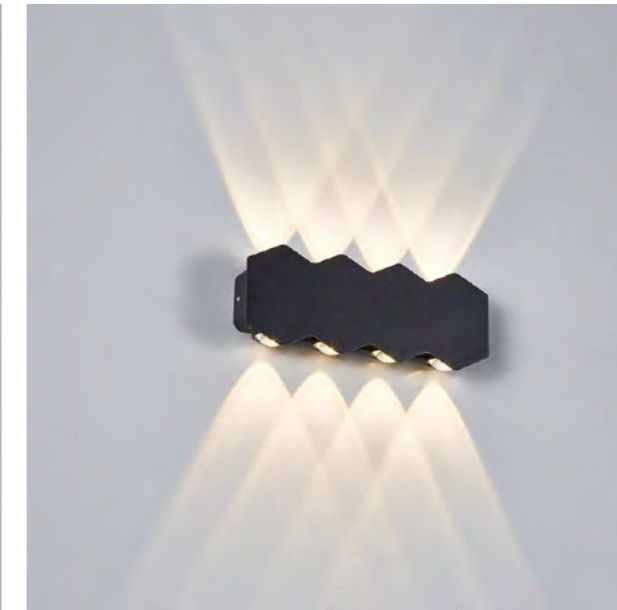
Product Description

input: AC85-240V 50/60Hz

Colour: Black/White



UT-90-00301



UT-90-00302



UT-90-00303

UT-90-003

Materials: Aluminum+PC CRI > 80 CCT:3000K/6000K PF > 0.5 Lumens:110LM/W IP Rating: IP65

Model:	UT-90-00301	UT-90-00302	UT-90-00303
--------	-------------	-------------	-------------

Wattage:	6W	8W	10W
----------	----	----	-----

Dimension(mm):	155*80*35mm	210*80*35mm	260*80*35mm
----------------	-------------	-------------	-------------



UT-90-00401

Product Description

input: AC85-240V 50/60Hz

Colour: Black/White



UT-90-00401

Materials: Aluminum+PC CRI > 80 CCT:3000K/6000K PF > 0.5 Lumens:110LM/W IP Rating: IP65

Wattage: 12W

Dimension(mm): 105*130mm



UT-90-00501

Product Description

input: AC85-240V 50/60Hz

Colour: Black/White



UT-90-00501

Materials: Aluminum+PC CRI > 80 CCT:3000K/6000K PF > 0.5 Lumens:110LM/W IP Rating: IP65

Wattage: 12W

Dimension(mm): 180*120*190mm



UT-90-00502 & UT-90-00503

Product Description

input: AC85-240V 50/60Hz
Colour: Black/White



UT-90-00502



UT-90-00502



UT-90-00503



UT-90-00503

UT-90-003

Materials: Aluminum+PC CRI > 80 CCT:3000K/6000K PF > 0.5 Lumens:110LM/W IP Rating: IP65

Model: UT-90-00502 UT-90-00503

Wattage: 10W 10W

Dimension(mm): 150*120mm 150*120mm



UT-90-006

Product Description

input: AC85-240V 50/60Hz

Colour: Black/White



UT-90-00601



UT-90-00602

UT-90-006

Materials: Aluminum+PC CRI > 80 CCT:3000K/6000K PF > 0.5 Lumens:110LM/W IP Rating: IP65

Model:	UT-90-00601	UT-90-00602
--------	-------------	-------------

Wattage:	12W	12W
----------	-----	-----

Dimension(mm):	125*125*260mm	115*115*250mm
----------------	---------------	---------------



UT-90-007

Product Description

input: AC85-240V 50/60Hz

Colour: Black/White



UT-90-007

Materials: Aluminum+PC CRI > 80 CCT:3000K/6000K PF > 0.5 Lumens:110LM/W IP Rating: IP65

Model:	UT-90-00701	UT-90-00702
--------	-------------	-------------

Wattage:	5W	12W
----------	----	-----

Dimension(mm):	φ115*115mm	φ160*105mm
----------------	------------	------------



UT-90-008

Product Description

input: AC85-240V 50/60Hz

Colour: Black/White



UT-90-008

Materials: Aluminum+PC CRI > 80 CCT:3000K/6000K PF > 0.5 Lumens:110LM/W IP Rating: IP65

Model:	UT-90-00801	UT-90-00802
--------	-------------	-------------

Wattage:	5W	12W
----------	----	-----

Dimension(mm):	115*115mm	155*155*105mm
----------------	-----------	---------------



UT-90-009

Product Description

input: AC85-240V 50/60Hz

Colour: Black/White



UT-90-00801



UT-90-00802

UT-90-009

Materials: Aluminum+PC CRI > 80 CCT:3000K/6000K PF > 0.5 Lumens:110LM/W IP Rating: IP65

Model: UT-90-00901 UT-90-00902

Wattage: 6*1W+6W 6*1W+6W

Dimension(mm): 170*145*60mm 170*145*60mm



UT-63-01601~UT-63-01607

Product Description

Colour: Black



UT-63-01601



UT-63-01607

UT-63-01601~UT-63-01607

Dimension(mm):96*126*50mm IP Rating: IP65 Remark:UT-63-01602/04/06/07 Human Induction

Model:	UT-63-01601/02	UT-63-01603/04	UT-63-01605/06	UT-63-01607
Solar Panel:	4.5V/0.35W	4.5V/0.35W	5.5V/0.55W	5.5V/0.55W
Material:	PP	PP	ABS	ABS
Battery:	3.7V/400mAh	3.7V/600mAh	3.7V/600mAh	3.7V/600mAh

UT-63-01608

Product Description

Colour: Black



UT-63-01608

Model: UT-63-01608

Solar Panel: 5.5V/0.55W

Material: ABS

Battery: 3.7V/600mAh

Dimension(mm):96*126*50

Remark:1.Human Induction 2.IP65

UT-63-01609~UT-63-01611

Product Description

Colour: Black



UT-63-01609



UT-63-01611

UT-63-01609~UT-63-01611

Dimension(mm):124*175*50 IP Rating: IP65 Remark: Human Induction

Model:	UT-63-01609	UT-63-01610	UT-63-01611
Solar Panel:	5.5V/1.2W	5.5V/1.2W	5.5V/1.2W
Material:	PP	ABS	ABS
Battery:	3.7V/1200mAh	3.7V/1200mAh	3.7V/1200mAh

UT-63-01701~UT-63-01705

Product Description

Colour: Black



UT-63-01701



UT-63-01702



UT-63-01703



UT-63-01704

UT-63-017

Materials:ABS+PC IP Rating: IP64

Model:	UT-63-01701	UT-63-01702	UT-63-01703	UT-63-01704	UT-63-01705
Solar Panel:	5.5V/0.65W	5.5V/1.3W	5.5V/1.3W	5.5V/2.4W	5.5V/2.4W
Battery:	1200mAh	1800mAh	1800mAh	1800mAh	1800mAh
Dimension(mm):	138*97*58mm	220*95*65mm	220*95*65mm	220*95*65mm	220*95*65mm

UT-63-01801~02

Product Description

Colour: Black



UT-63-01801



UT-63-01802

UT-63-01801~02

Materials:ABS+PC IP Rating: IP64

Model:	UT-63-01801	UT-63-01802
Solar Panel:	5.5V/0.65W	5.5V/1.3W
Battery:	1200mAh	1800mAh
Dimension(mm):	115*112*48mm	198*128*62mm

UT-63-019

Product Description

Colour: Black



UT-63-01901



UT-63-01903



UT-63-01905

UT-63-01901~06

Solar Panel:5.5V/1.5W Material: ABS+PC Remark:UT-63-01902/04/06 with remote Ip44

Model:	UT-63-01901/02	UT-63-01903/04	UT-63-01905/06
--------	----------------	----------------	----------------

Battery:	1200mAh	1200mAh	2400mAh
----------	---------	---------	---------

Dimension(mm):	217*185*85mm	217*235*85mm	340*185*85mm
----------------	--------------	--------------	--------------

UT-63-020

Product Description

Colour: Black



UT-63-02001



UT-63-02003



UT-63-02005

UT-63-02001~06

Material: ABS+PC Remark:UT-63-01902/04/06 with remote Ip44

Model:	UT-63-02001/02	UT-63-02003/04	UT-63-02005/06
--------	----------------	----------------	----------------

Solar Panel:	5.5V/1.5W	5.5V/1.5W	5.5V/1.5W
--------------	-----------	-----------	-----------

LED Chips:	122pcs	164pcs	214pcs
------------	--------	--------	--------

Battery:	1200mAh	1200mAh	1800mAh
----------	---------	---------	---------



UT-63-021

Product Description

Colour: Black



UT-63-02101~03

Materials:ABS+PC IP Rating: IP65

Model:	UT-63-02101	UT-63-02102	UT-63-02103
Wattage:	85 pcs	122 pcs	232 pcs
Battery:	3.7V/1800mAh	3.7V/2200mAh	3.7V/4000mAh
Dimension(mm):	141*90*44mm	153*104*45mm	179*136*49.5mm



UT-63-022

Product Description

Colour: Black



UT-63-02201



UT-63-02202



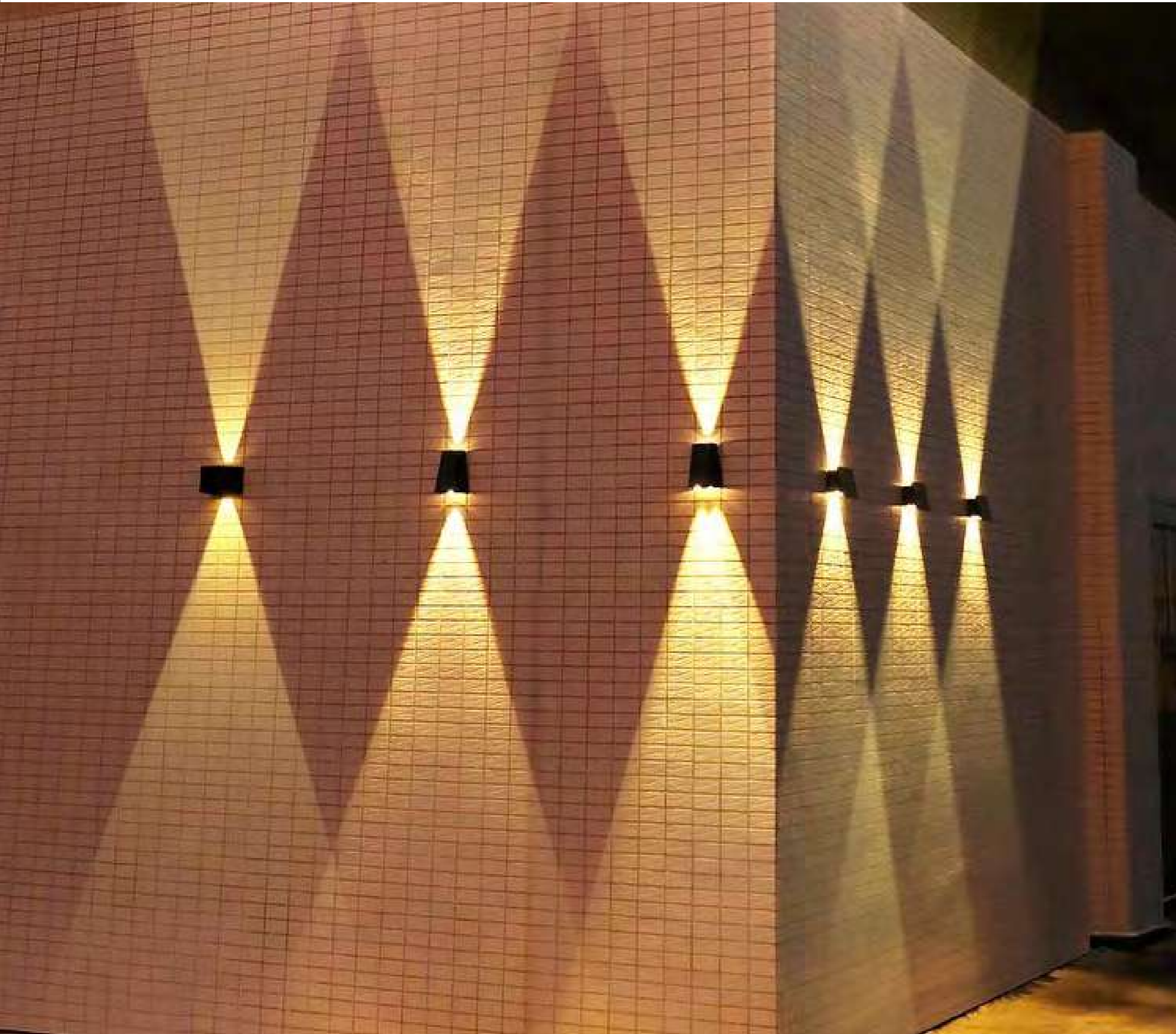
UT-63-02203



UT-63-02204

UT-63-02201~04

Model:	UT-63-02201	UT-63-02202	UT-63-02203	UT-63-02204
Solar Panel:	5.5V/0.5W			
LED Chips:	16pcs 2835			
Battery:	1200mAh			
Dimension(mm):	105*95*86mm			



UT-63-023

Product Description

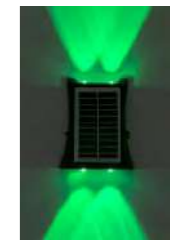
Colour: Black



UT-63-02301



UT-63-02302



UT-63-02303



UT-63-02304



UT-63-023

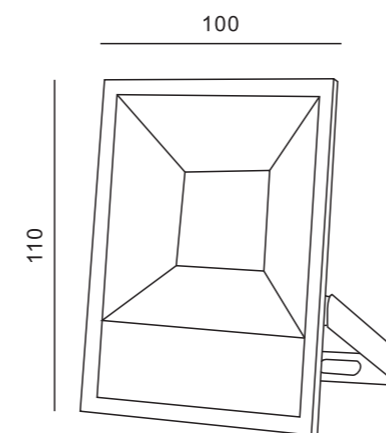
Model:	UT-63-02301	UT-63-02302	UT-63-02303	UT-63-02304
Solar Panel:	5.5V/1.5W	5.5V/1.5W	5.5V/1.2W	5.5V/1.2W
LED Chips:	2pcs 5050	4pcs 5050	4pcs 5050	8pcs 5050
Dimension(mm):	93*70*120mm	93*70*120mm	93*70*120mm	93*70*120mm



UT-50-00101

Product Description

input: AC85-240V 50/60Hz
Colour: Black/Grey



UT-50-00101~7

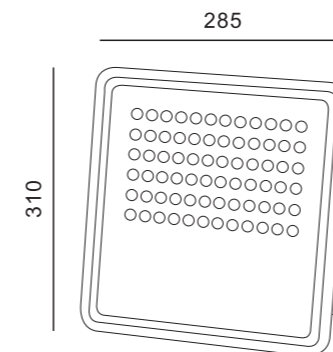
Materials: Aluminum+Glass	LED: San an	CCT: 3000K/4500K/6000K	Beam Angle: 120°	IP Rating: IP65			
Wattage:	10W	20W	30W	50W	100W	150W	200W
Dimension(mm):	110*100*32	130*115*32	170*150*35	240*210*44	270*260*45	310*280*55	345*330*55



UT-50-01401

Product Description

input: AC85-240V 50/60Hz
Colour: White



UT-50-01401~7

Materials: Aluminum+pc LED: San an Beam Angle: 90° CRI: Ra > 80 CCT: 3000K/4500K/6000K IP Rating: IP65

Wattage: 30W 50W 100W 150W 200W 300W 400W

Dimension(mm): 190*33*210 220*40*240 285*44*310 325*52*350 355*58*380 425*380*50 460*410*50

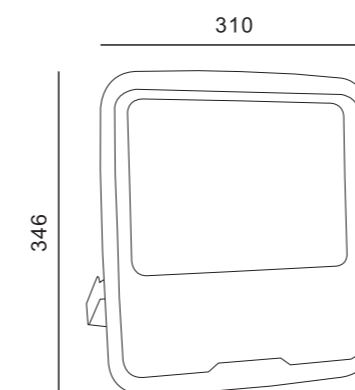


UT-50-01501

Product Description

input: AC85-240V 50/60Hz

Colour: Grey



UT-50-01501~5

Materials: Aluminum+Glass LED: San an Beam Angle: 90° CRI: Ra > 80 CCT: 3000K-6500K IP Rating: IP65

Wattage: 50W 100W 150W 200W 300W

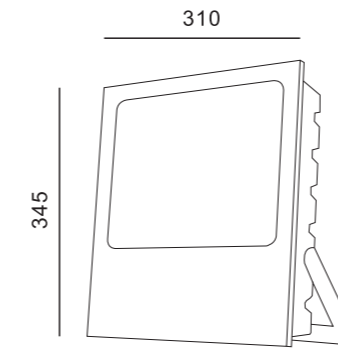
Dimension(mm): 210*242*50 257*286*60 310*346*62 310*346*62 400*360*63



UT-50-01601

Product Description

input: AC85-240V 50/60Hz
Colour: Black



UT-50-01601~4

Materials: Aluminum+Glass LED: San an Beam Angle: 90° CRI: Ra > 80 CCT: 3000K-6500K IP Rating: IP65

Wattage: 50W 100W 150W 200W

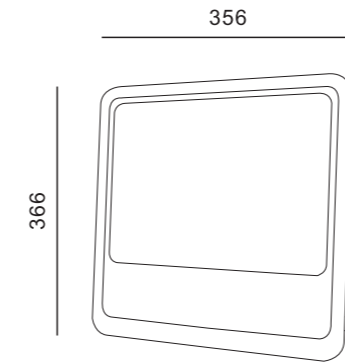
Dimension(mm): 240*210*60 285*255*70 345*310*85 380*350*100



UT-50-01701

Product Description

input: AC85-240V 50/60Hz
Colour: Black



UT-50-01701~5

Materials: Aluminum+Glass LED: San an Beam Angle: 90° CRI: Ra > 80/70 CCT: 3000K-6500K IP Rating: IP65

Wattage: 50W 100W 150W 200W 300W

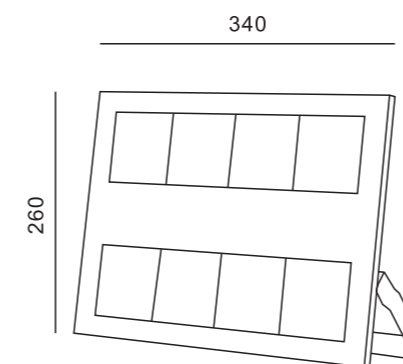
Dimension(mm): 215*205*44 245*235*47 285*275*47 326*316*47 366*356*47



UT-50-01801

Product Description

input: AC85-240V 50/60Hz
Colour: Black



UT-50-01801~7

Materials: Aluminum+Glass LED: San an Beam Angle: 90° CRI: Ra > 80 CCT: 3000K/4500K/6000K IP Rating: IP65

Wattage: 50W 100W 150W 200W 300W 400W 500W

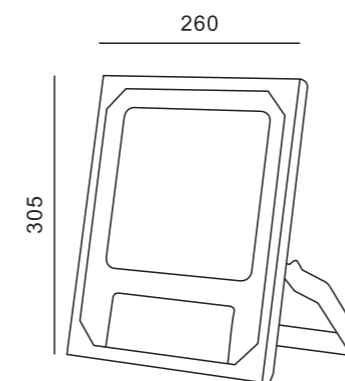
Dimension(mm): 200*195*40 275*205*40 340*260*45 390*300*45 440*320*48 490*340*50 500*380*60



UT-50-01901

Product Description

input: AC85-240V 50/60Hz
Colour: Grey



UT-50-01901~7

Materials: Aluminum+Glass LED: San an Beam Angle: 90° CRI: Ra > 80 CCT: 3000K/4500K/6000K IP Rating: IP65

Wattage: 30W 50W 100W 150W 200W 300W 400W

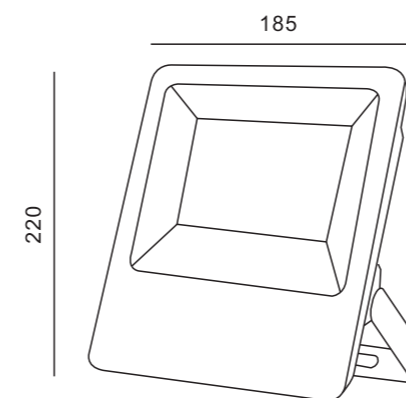
Dimension(mm): 205*175*52 245*215*55 305*260*65 280*325*55 375*315*90 495*445*100 495*445*100



UT-50-00301

Product Description

input: AC85-240V 50/60Hz
Colour: Black



UT-50-00301~5

Materials: Aluminum+Glass LED: San an Beam Angle: 110°

CRI: Ra > 80 CCT: 3000K/4500K/6000K IP Rating: IP65

Wattage: 30W 50W 100W 150W 200W

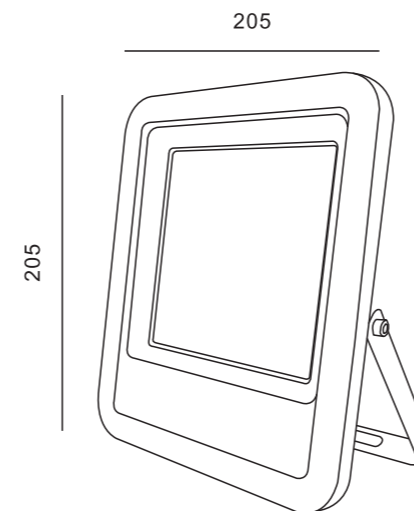
Dimension(mm): 185*220*32 200*253*45 240*290*45 290*345*50 320*380*50



UT-50-00501

Product Description

input: AC85-240V 50/60Hz
 Colour: Grey



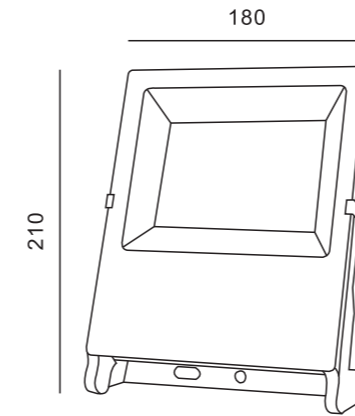
UT-50-00501~4				
Materials: Aluminum+Glass	LED: San an	Beam Angle: 110°		
CRI: Ra > 80	CCT: 3000K/4500K/6000K	IP Rating: IP65		
Wattage:	50W	100W	150W	200W
Dimension(mm):	230*205*35	280*255*35	310*280*40	330*300*40



UT-50-01101

Product Description

input:AC180-240V 50/60Hz
Colour: Grey, Black



UT-50-01101~7

Materials:	Aluminum+Glass	LED:	Osram	Beam Angle:	110°	CRI:	Ra > 80	CCT:	3000K/4500K/6000K	IP Rating:	IP65
Wattage:	20W	30W	50W	100W	150W	200W	300W				
Dimension(mm):	170*140*30	190*160*30	210*180*30	280*240*30	350*270*36	350*270*36	480*370*40				



UT-50-023

Product Description

input: AC85-240V 50/60Hz
Colour: Black/White



UT-50-023

Materials: Aluminum+glass Voltage: 85-265V CCT:6500K LED Chips:3030 IP Rating: IP65

Model:	UT-50-02301	UT-50-02302	UT-50-02303	UT-50-02304	UT-50-02305
Wattage:	50W	100W	200W	300W	400W
Dimension(mm):	175*205*40mm	210*240*50mm	255*285*60mm	310*345*60mm	370*420*60mm



UT-50-024

Product Description

input: AC85-240V 50/60Hz
Colour: Black/White



UT-50-024

Materials: Aluminum+glass CCT:6500K IP Rating: IP65

Model:	UT-50-02401	UT-50-02402	UT-50-02403	UT-50-02404
Wattage:	50W	100W	150W	200W
Dimension(mm):	225*190*40mm	270*230*40mm	325*263*40mm	375*305*40mm



UT-50-026

Product Description

Input:AC175-265V 50/60Hz

Colur: White



UT-50-026

Materials:Die-casting Aluminum CCT:7000K IP Rating:IP65 Lunmen:110-120LM/W

Model:	UT-50-02601	UT-50-02602	UT-50-02603	UT-50-02604	UT-50-02605	UT-50-02606
Wattage:	30W	50W	100W	150W	200W	300W
Dimension(mm):	162*183*38mm	225*192*37mm	245*280*50mm	270*315*53mm	300*350*55mm	325*380*55mm



UT-50-027

Product Description

Input:AC180-300V 50/60Hz

Color: Grey



UT-50-027

Materials:Die-casting Aluminum CCT:3000K/4000K/6500K IP Rating: IP66

Model:	UT-50-02701	UT-50-02702	UT-50-02703	UT-50-02704	UT-50-02705
Wattage:	30W	50W	100W	200W	300W
Dimension(mm):	140*120*30mm	180*160*30mm	248*220*35mm	360*320*40mm	360*320*40mm



UT-50-028

Product Description

Input:AC220V 50/60Hz

Color: Grey



UT-50-028

Materials:Die-casting Aluminum CCT:3000K/4000K/6500K IP Rating: IP66

Model:	UT-50-02801	UT-50-02802	UT-50-02803	UT-50-02804	UT-50-02805	UT-50-02806
Wattage:	20W	30W	50W	100W	150W	200W
Dimension(mm):	110*90*20mm	140*110*25mm	200*147*24mm	278*205*30mm	317*235*34mm	380*284*38mm

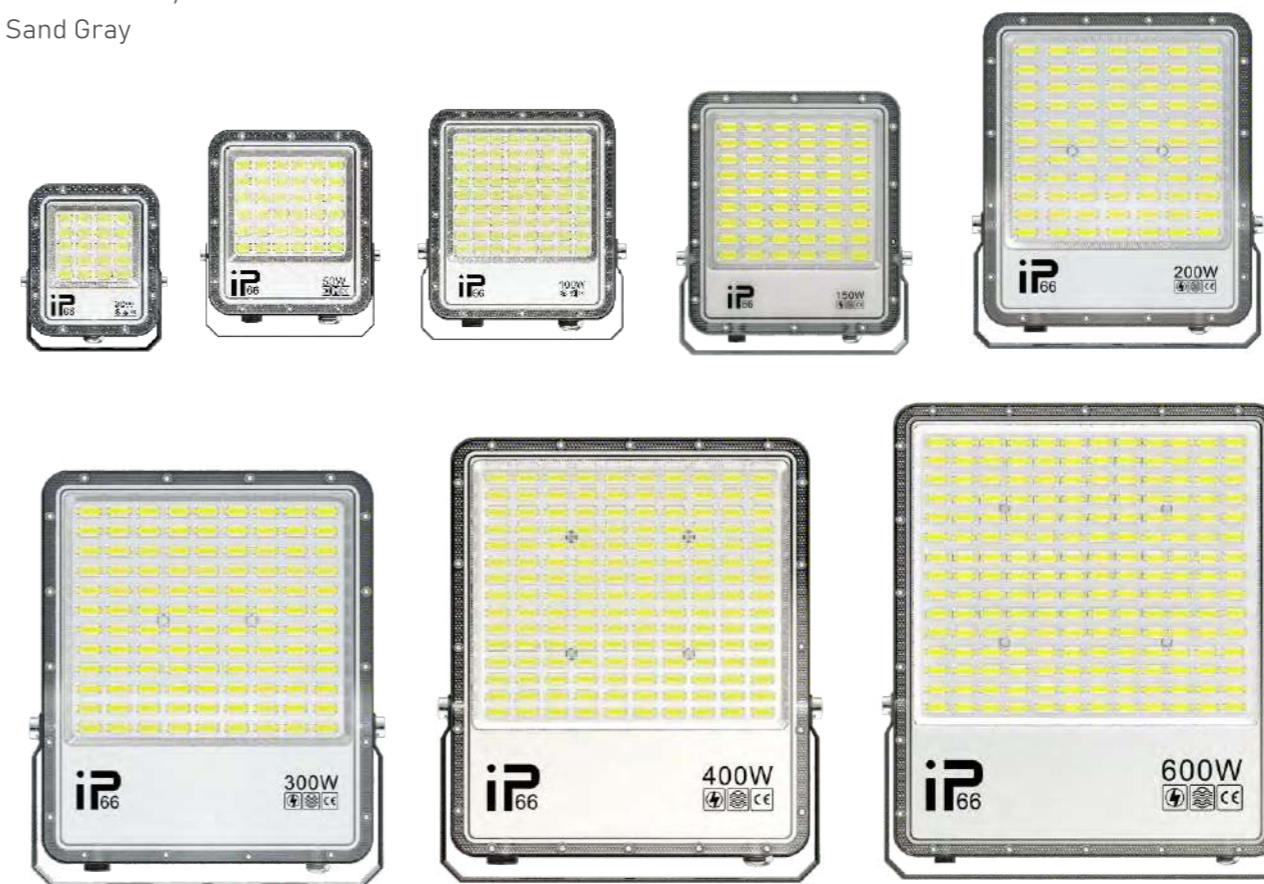


UT-50-029

Product Description

Input: AC110-265V 50/60Hz

Color: Sand Gray



UT-50-029

Materials: Die-casting Aluminum CCT: 3000K/4000K/6500K IP Rating: IP66

Model:	UT-50-02901	UT-50-02902	UT-50-02903	UT-50-02904
Wattage:	30W	50W	100W	150W
Dimension(mm):	137*117*25mm	168*148*25mm	208*183*25mm	234*204*25mm
Model:	UT-50-02905	UT-50-02906	UT-50-02907	UT-50-02908
Wattage:	200W	300W	400W	600W
Dimension(mm):	273*233*27mm	323*273*27mm	353*303*30mm	403*343*30mm



UT-50-030

Product Description

Input:AC120-277V 50/60Hz

Color: Sand Gray



UT-50-030

Materials:Die-casting Aluminum CCT:3000K/4000K/6500K IP Rating: IP66

Model:	UT-50-03001	UT-50-03002	UT-50-03003	UT-50-03004	UT-50-03005
Wattage:	50W	100W	200W	300W	400W
Dimension(mm):	200*170*35mm	240*204*35mm	300*260*40mm	350*300*45mm	400*340*50mm



UT-50-033

Product Description

Input:AC100-265V 50/60Hz

Color: Gray



UT-50-033

Materials:Aluminum+PC CCT:3000K/4000K/6500K IP Rating: IP65

Model:	UT-50-03301	UT-50-03302	UT-50-03303	UT-50-03304	UT-50-03305
--------	-------------	-------------	-------------	-------------	-------------

Wattage:	30W	50W	100W	150W	200W
----------	-----	-----	------	------	------

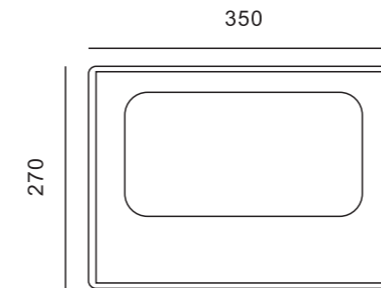
Dimension(mm):	164*123*18mm	204*159*18mm	260*194*21mm	310*225*23mm	360*260*25mm
----------------	--------------	--------------	--------------	--------------	--------------



UT-50-02001

Product Description

Colour: Black



UT-50-02001~5

Materials: Aluminum+Glass LED: C F Beam Angle: 110° CRI: Ra > 80
 CCT: 3000K-6500K IP Rating: IP67 Charging time: 4-5h Discharging time: 5-6 h
 Control mode: light sensor+remote control version (can add radar sensor)

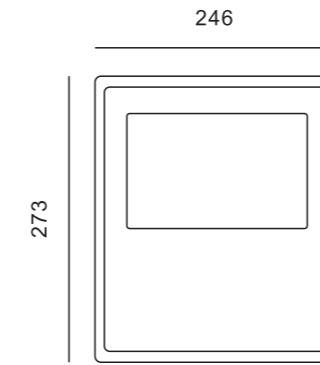
Wattage:	25W	40W	60W	120W	200W
Dimension(mm):	193*146*50	227*180*50	255*208*65	300*250*75	335*270*80
Solar panel power:	6V/10W	6V/15W	6V/18W	6V/30W	6V/35W
Battery capacity:	3.2V 5AH	3.2V 10AH	3.2V 15AH	3.2V/20AH	3.2V/30AH



UT-50-02101

Product Description

Colour: Grey



UT-50-02101~5

Materials: Aluminum+PC LED: San an Beam Angle: 110° CRI: Ra > 80

CCT: 3000K-6500K IP Rating: IP67 Charging time: 5-6h Discharging time: 6-8h

Control mode: Battery indicator+Light sensor+remote control version

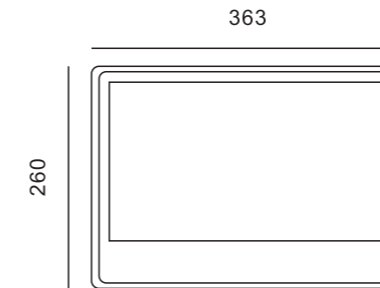
Wattage:	100W	150W	200W	300W
Dimension(mm):	210*195*38	233*223*42	273*246*43	331*308*48
Solar panel power:	6V/10W	6V/15W	6V/18W	6V/20W
Battery capacity:	3.2V/6AH	3.2V/12AH	3.2V/18AH	3.2V/24AH



UT-50-02201

Product Description

Colour: White



UT-50-02201~5

Materials: Aluminum+PC LED: San an Beam Angle: 110° CRI: Ra > 80

CCT: 3000K-6500K IP Rating: IP67 Charging time: 5-6h Discharging time: 6-8h

Control mode: Battery indicator+Lightsensor+remote control version

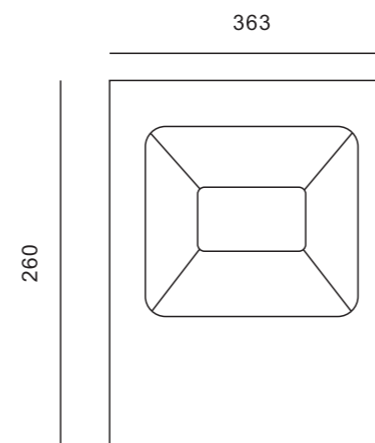
Wattage:	60W	100W	150W	200W	300W
Dimension(mm):	190*170*55	235*180*55	290*235*55	363*260*55	363*260*55
Solar panel power:	6V/10W	6V/15W	6V/18W	6V/25W	6V/30W
Battery capacity:	3.2V/5AH	3.2V/10AH	3.2V/15AH	3.2V/18AH	3.2V/25AH



UT-50-02301

Product Description

Colour:Dark Grey,Silver Grey,Black



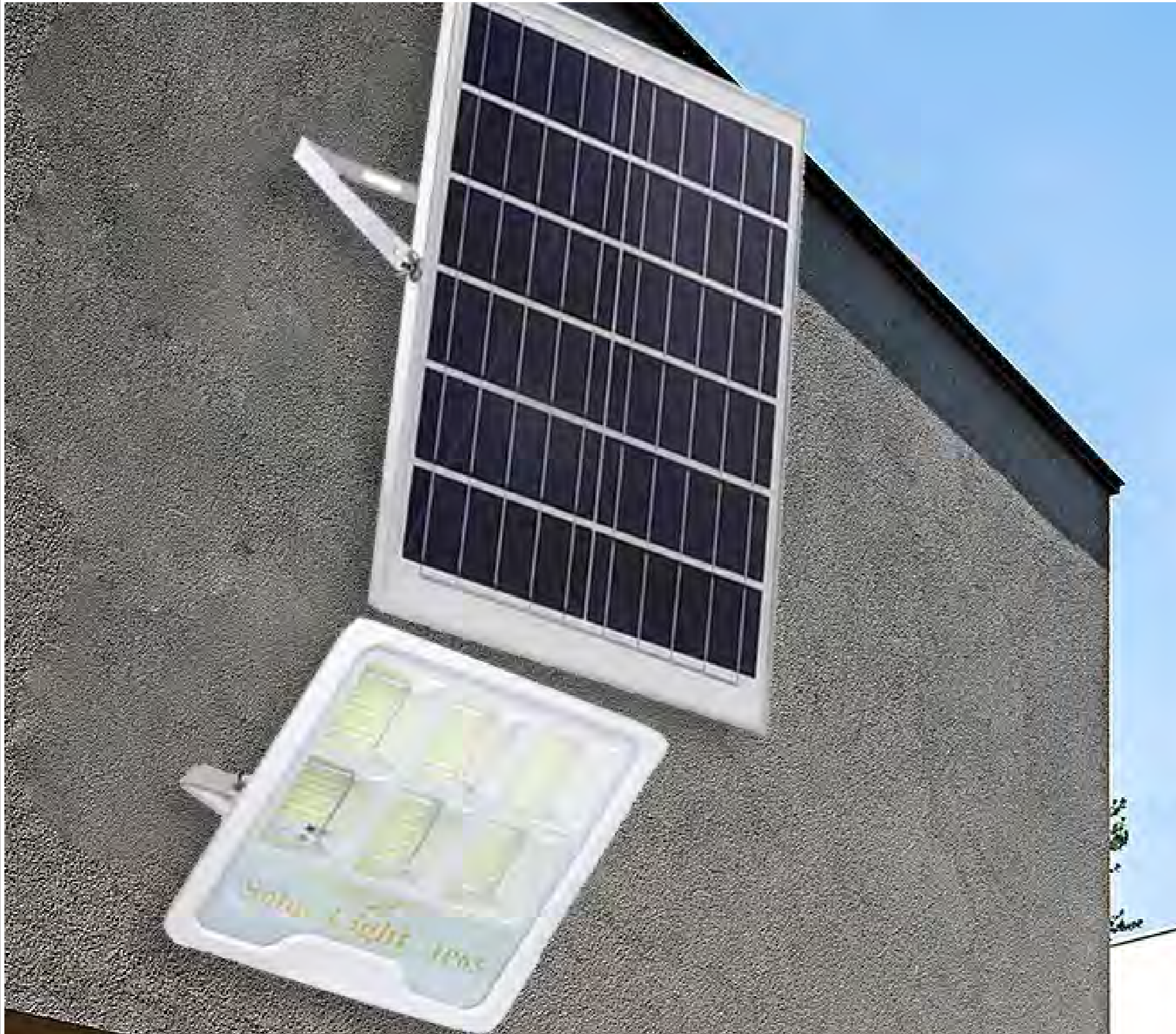
UT-50-02301~5

Materials: Aluminum+Glass LED: San an Beam Angle: 110° CRI: Ra > 80

CCT: 3000K-6500K IP Rating: IP67 Charging time: 5-6h Discharging time: 6-8 h

Control mode: Discharging time+remote control version

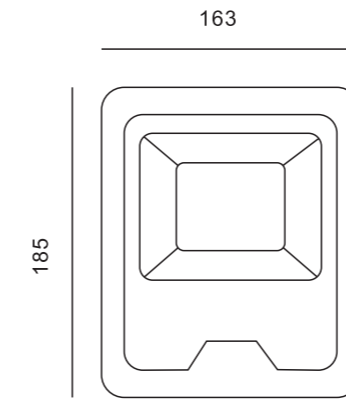
Wattage:	30W	50W	100W	150W	200W
Dimension(mm):	192*171*43	240*210*48	285*255*53	347*310*58	378*348*82
Solar panel power:	6V/15W	6V/20W	6V/25W	6V/30W	6V/35W
Battery capacity:	3.2V/5AH	3.2V/15AH	3.2V/20AH	3.2V/25AH	3.2V/30AH



UT-50-02401

Product Description

Colour: Black



UT-50-02401~5

Materials: Aluminum+Glass LED: B S Beam Angle: 110° CRI: Ra > 80

CCT: 3000K-6500K IP Rating: IP65 Charging time: 5-6h Discharging time: 6-8h

Control mode: Discharging time+remote control version

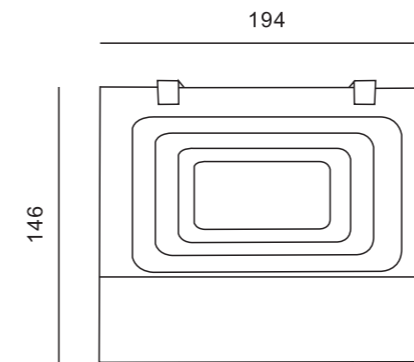
Wattage:	50W	100W	200W	300W
Dimension(mm):	185*163*50	237*204*55	290*250*55	394*330*55
Solar panel power:	6V/10W	6V/15W	6V/18W	6V/22W
Battery capacity:	3.2V/5AH	3.2V/10AH	3.2V/15AH	3.2V/20AH



UT-50-00701

Product Description

Colour: Black



UT-50-00701~5

Materials: ABS+Glass LED: MLS Beam Angle: 110° CRI: Ra > 80

CCT: 3000K-6500K IP Rating: IP67 Charging time: 5-6h Discharging time: 8-12h

Control mode: Battery indicator+optical control+remote control version

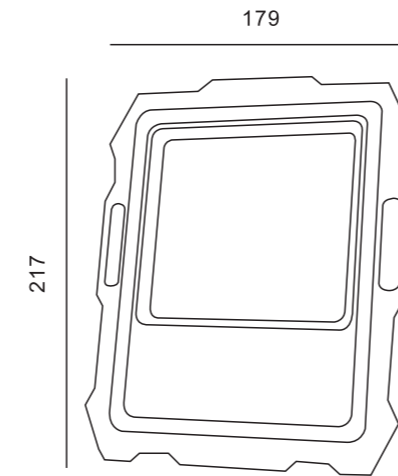
Wattage:	30W	50W	100W	200W	300W
Dimension(mm):	171*148*40	176*209*50	219*253*60	240*275*64	324*280*73
Solar panel power:	6V/6W	6V/8W	6V/12W	6V/15W	6V/18W
Battery capacity:	3.2V 3AH	3.2V 5AH	3.2V 6AH	3.2V/12AH	3.2V/18AH



UT-50-00801

Product Description

Colour: Black



UT-50-00801~4

Materials: Aluminum+PC LED: San an Beam Angle: 110° CRI: Ra > 80

CCT: 3000K/4500K/6000K IP Rating: IP65 Charging time: 6-8 h Discharging time: 8-12 h

Control mode: intelligent light control + radar + remote control Solar panel type: monocrystalline silicon

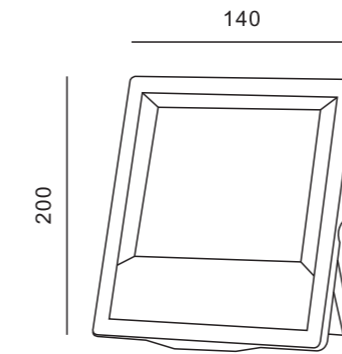
Wattage:	100W	200W	300W	400W
Dimension(mm):	217*179*45	258*213*45	312*270*50	365*295*50
Solar panel power:	20W	28W	35W	40W
Battery capacity:	5V 12AH	5V 24AH	5V 30AH	5V 42AH



UT-50-01201

Product Description

Colour: Black



UT-50-01201~5

Materials: Aluminum+PC	LED: Osram	Beam Angle: 90°	CRI: Ra > 80		
CCT: 3000K/4500K/6000K	IP Rating: IP65	Charging time: 6-8 h	Discharging time: 8-12 h		
Control mode: light control + remote control		Solar panel type: monocrystalline silicon			
Wattage:	50W	100W	150W	200W	300W
Dimension(mm):	200*140*30	200*140*30	200*140*30	280*260*30	280*260*30
Solar panel power:	6W	10W	15W	20W	30W(15W*2)
Battery capacity:	3.7V 5AH	3.7V 10AH	3.7V 15AH	3.7V 20AH	3.7V 30AH



UT-50-031

Product Description

input: AC85-240V 50/60Hz
Colour: Black



UT-50-031

Materials: Die-casting Aluminum CCT:3000K/4000K/6500K LED:SANAN CRI: Ra>80 IP Rating:IP66

CCT:6500K Charging time: 4-5 h Discharging time: 1-2 Days

Control mode: light control + remote control Solar panel type: monocrystalline silicon

Model:	UT-50-03101	UT-50-03102	UT-50-03103	UT-50-03104	UT-50-03105
Wattage:	60W	120W	180W	240W	300W
Dimension(mm):	184*124*25mm	184*124*25mm	204*144*25mm	204*144*25mm	254*194*25mm
Solar panel power:	6V/8W	6V/15W	6V/20W	6V/25W	6V/30W
Battery capacity:	3.2V/6Ah	3.2V/12Ah	3.2V/18Ah	3.2V/ 24Ah	3.2V/30Ah



UT-50-032

Product Description

Color: Gray



UT-50-032

Materials: Die-casting Aluminum CRI: Ra>80 IP Rating:IP66

CCT:6500K Charging time: 5-6H Discharging time: 12-14H

Control mode: light control + remote control Solar panel type: monocrystalline silicon

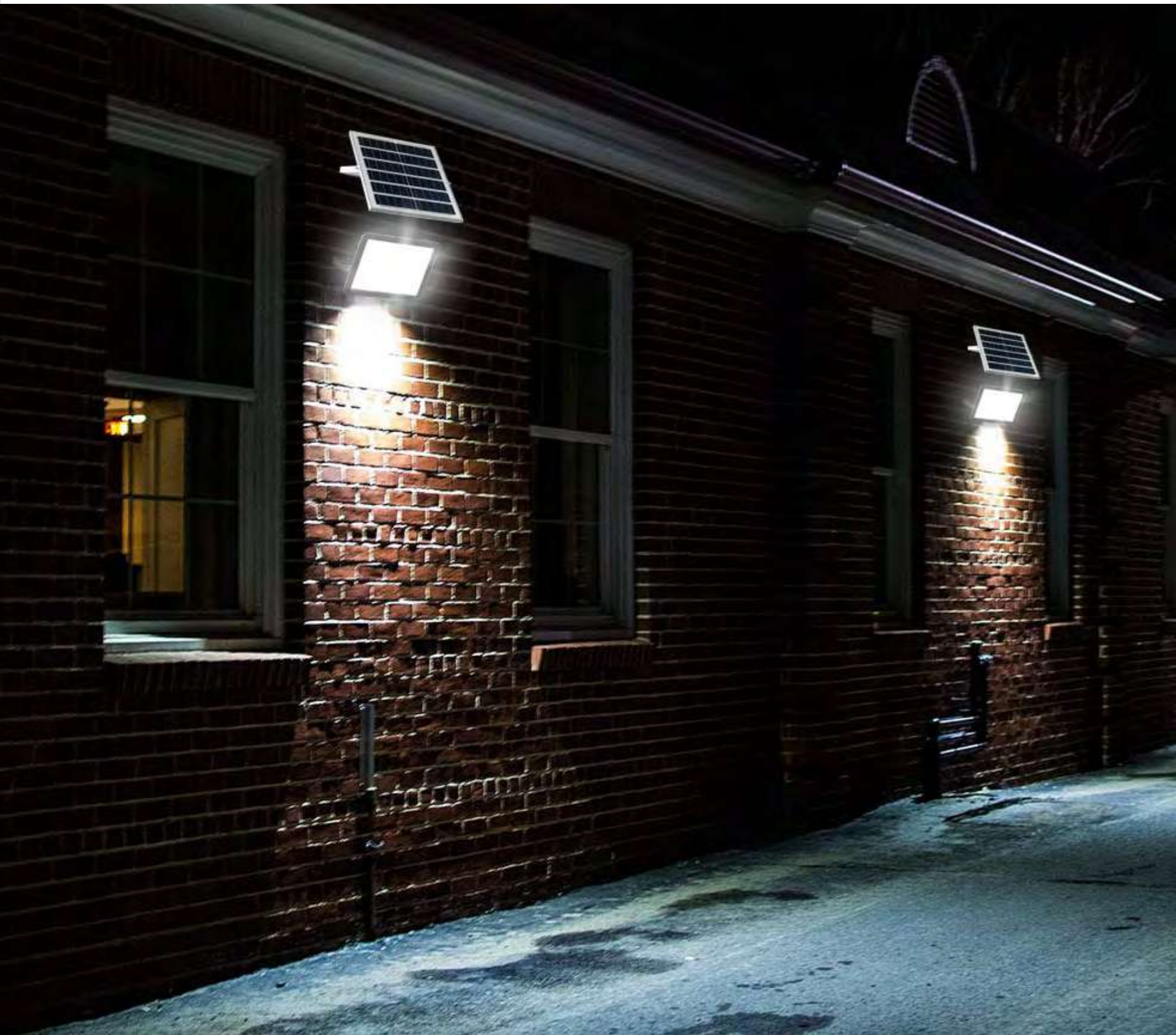
Model:	UT-50-03201	UT-50-03202	UT-50-03202
--------	-------------	-------------	-------------

Wattage:	40W	60W	100W
----------	-----	-----	------

Dimension(mm):	232*185*53mm	256*208*65mm	305*250*75mm
----------------	--------------	--------------	--------------

Solar panel power:	6V/10W	6V/12W	6V/15W
--------------------	--------	--------	--------

Battery capacity:	3.2V/5AH	3.2V/10AH	3.2V/15AH
-------------------	----------	-----------	-----------



UT-50-034

Product Description

Colour: Gray



UT-50-032

Materials: ABS CRI: Ra>80 IP Rating:IP65

CCT:6500K Charging time: 4-5H Discharging time: 14-24H

Control mode: light control + remote control Solar panel type: monocrystalline silicon

Model:	UT-50-03401	UT-50-03402
--------	-------------	-------------

Wattage:	100W	300W
----------	------	------

Dimension(mm):	260*200*65mm	330*260*67mm
----------------	--------------	--------------

Solar panel power:	6V/12W	6V/15W
--------------------	--------	--------

Battery capacity:	3.2V/10AH	3.2V/15AH
-------------------	-----------	-----------



UT-50-038

Product Description

Color: Gray



UT-50-038

Materials: ABS IP Rating:IP65

CCT:6500K Charging time: 4-6H Discharging time: 12H

Control mode: light control + remote control Solar panel type: monocrystalline silicon

Model:	UT-50-03801	UT-50-03802	UT-50-03803
--------	-------------	-------------	-------------

Wattage:	30W	60W	100W
----------	-----	-----	------

Dimension(mm):	150*120*48MM	183*143*48MM	220*170*48MM
----------------	--------------	--------------	--------------

Solar panel power:	5V/5W	5V/7W	5V/10W
--------------------	-------	-------	--------

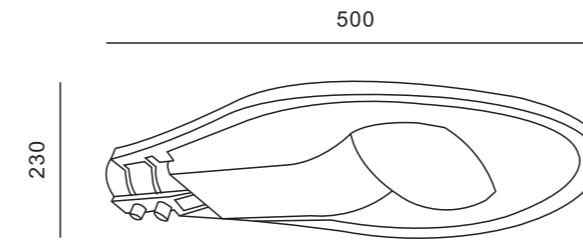
Battery capacity:	3.2V/5AH	3.2V/5AH	3.2V/10AH
-------------------	----------	----------	-----------



UT-60-00101

Product Description

input:AC85-240V 50/60Hz
 Colour: Grey/Black



UT-60-00101~4

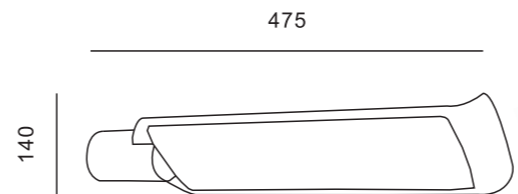
Materials: Aluminum+optical lens	LED: San an	Beam Angle: 110°		
CRI: Ra > 80	CCT: 3000K/4500K/6000K	IP Rating: IP65		
Wattage:	50W	100W	150W	200W
Dimension(mm):	500*230*80	720*280*80	720*280*80	950*350*80



UT-60-02501

Product Description

input:AC85-240V 50/60Hz
 Colour: Grey/Black



UT-60-02501~5

Materials: Aluminum+PC	LED: San an	Beam Angle: 110°			
CRI: Ra > 80	CCT: 3000K/4500K/6000K	IP Rating: IP65			
Wattage:	30W	50W	100W	150W	200W
Dimension(mm):	350*110*55	410*120*55	475*140*65	585*160*75	685*175*75

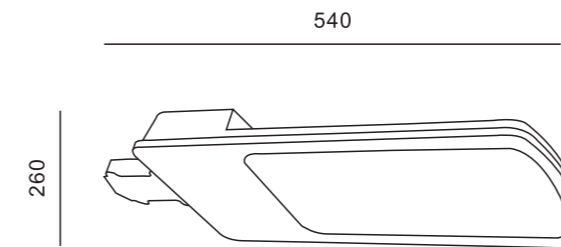


UT-60-02601

Product Description

input:AC85-240V 50/60Hz

Colour: Grey/Black



UT-60-02601~5

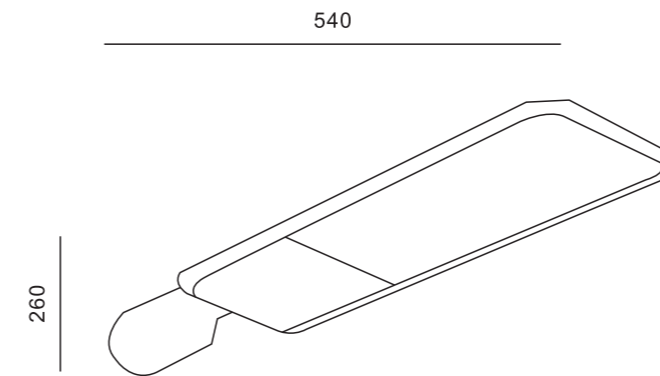
Materials: Aluminum+Glass	LED: San an	Beam Angle: 110°			
CRI: Ra > 80	CCT: 3000K-6500K	IP Rating: IP65			
Wattage:	30W	50W	100W	150W	200W
Dimension(mm):	400*130*65	495*210*90	540*260*60	700*285*68	700*285*68



UT-60-02701

Product Description

input: AC85-240V 50/60Hz
 Colour: Grey/Black



UT-60-02701~4

Materials: Aluminum+PC	LED: San an	Beam Angle: 110°		
CRI: Ra > 80	CCT: 3000K-6500K	IP Rating: IP65		
Wattage:	50W	100W	150W	200W
Dimension(mm):	460*120*70	510*140*70	581*160*70	641*180*70

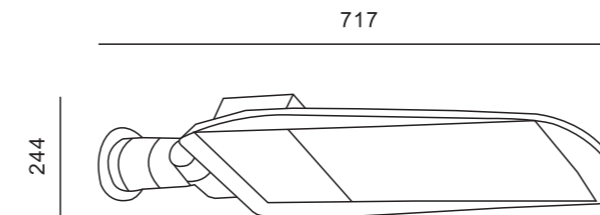


UT-60-02801

Product Description

input:AC85-240V 50/60Hz

Colour: Grey/Black



UT-60-02801~4

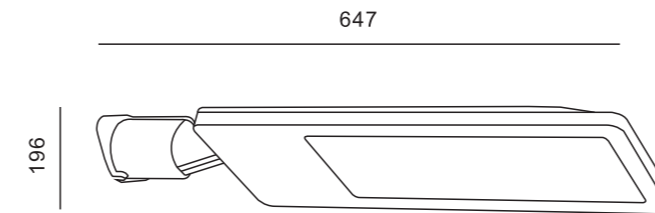
Materials: Aluminum+PC	LED: San an	Beam Angle: 110°		
CRI: Ra > 80	CCT: 3000K-6500K	IP Rating: IP65		
Wattage:	50W	100W	150W	200W
Dimension(mm):	530*158*100	583*177*100	645*214*100	717*244*100



UT-60-02901

Product Description

input:AC85-240V 50/60Hz
Colour: Grey/Black



UT-60-02901~4

Materials: Aluminum+Glass	LED: San an	Beam Angle: 110°		
CRI: Ra > 80	CCT: 3000K-6500K	IP Rating: IP65		
Wattage:	50W	100W	150W	200W
Dimension(mm):	470*130*80	520*145*80	580*175*80	647*196*80

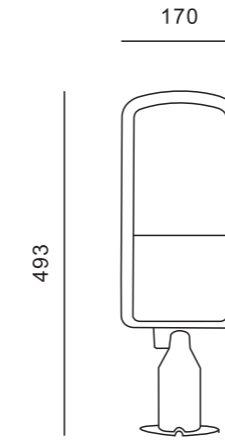


UT-60-03001

Product Description

input:AC85-240V 50/60Hz

Colour: Grey/Black



UT-60-03001~4

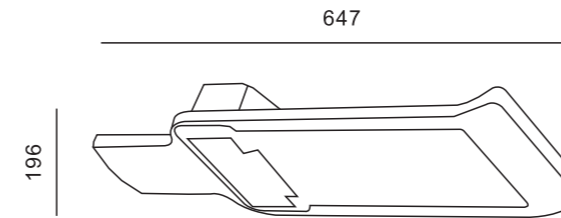
Materials: Aluminum+Glass	LED: San an	Beam Angle: 110°		
CRI: Ra > 80	CCT: 3000K-6500K	IP Rating: IP65		
Wattage:	50W	100W	150W	200W
Dimension(mm):	493*170*70	573*190*70	665*210*80	715*230*80



UT-60-03101

Product Description

input:AC85-240V 50/60Hz
Colour: Grey/Black



UT-60-03101~4

Materials: Aluminum+Glass	LED: San an	Beam Angle: 110°		
CRI: Ra > 80	CCT: 3000K-6500K	IP Rating: IP65		
Wattage:	50W	100W	150W	200W
Dimension(mm):	398*139*50	525*183*52	625*188*50	650*200*50

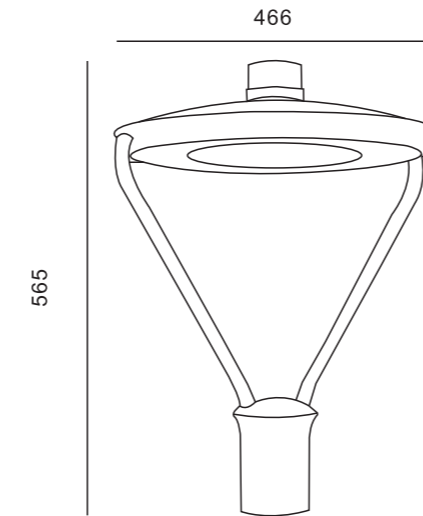


UT-60-01401

Product Description

input:AC85-256V 50/60Hz

Colour: Grey/Black



UT-60-01401~2

Materials: Aluminum+glass LED: San an Beam Angle: 100° CRI: Ra > 80

CCT: 6000-6500K IP Rating: IP65 Wattage: 100W/150W Dimension(mm): 466.6*565.1

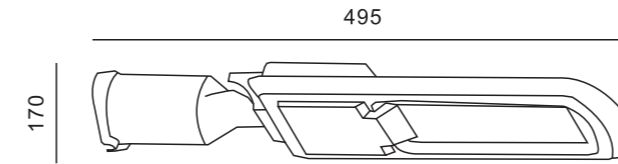


UT-60-01501

Product Description

input:AC100-265V 50/60Hz

Colour: Grey/Black



UT-60-01501~4

Materials: Aluminum+optical lens	LED: TYF	Beam Angle: 110°		
CRI: Ra > 70	CCT: 3000K/4500K/6000K	IP Rating: IP65		
Wattage:	50W	100W	150W	200W
Dimension(mm):	495*170	575*190	665*210	715*230



UT-90-035

Product Description

Colour: Black



UT-90-035

Materials:Die-casting Aluminum Voltage:AC85-265V SMD Chips:3030 Efficacy:110LM/W CCT:3000K-6500K Ip65

Item Number	UT-60-03501	UT-60-03502	UT-60-03503
Power	100W	150W	200W
Body Size(mm)	550*205*89mm	668*259*89mm	734*292*89mm
LED	120PCS	180PCS	243PCS



UT-60-041

Product Description

Input:AC100-277V 50/60Hz

Color: Gray



UT-60-041

Materials:Die-casting Aluminum SMD Chips:3030 Efficacy:120LM/W CCT:3000K-6500K IP65

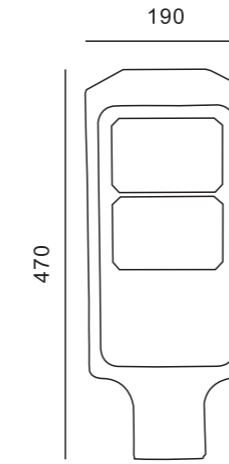
Item Number	UT-60-04101	UT-60-04102	UT-60-04103	UT-60-04104
Power	50W	100W	150W	200W
Body Size(mm)	481*190*75mm	513*241*75mm	576*266*75mm	669*286*75mm
LED	96PCS	144PCS	192PCS	240PCS



UT-60-00601

Product Description

Colour: Black



UT-60-00601~6

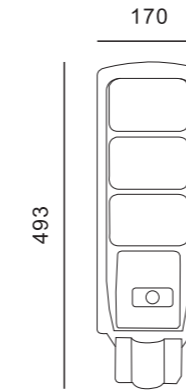
Materials: Aluminum+Glass	LED: San an	Beam Angle: 100°	CRI: Ra > 80			
CCT: 6500-7000K	IP Rating: IP65	Charging time: 6-8 h	Discharging time: 8-12 h			
Control mode: light control + remote control (can add radar sensor)			Solar panel type: monocrystalline silicon			
Wattage:	50W	80W	100W	150W	200W	300W
Dimension(mm):	362*152*65	362*152*65	470*190*90	470*190*90	575*235*90	575*235*90
Battery capacity:	3.2V 5AH	3.2V 10AH	3.2V 15AH	3.2V/20AH	3.2V/25AH	3.2V/30AH



UT-60-03201

Product Description

Colour: Black



UT-60-03201~3

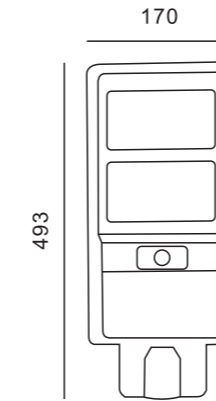
Materials: ABS engineering plastics	LED: San an	Beam Angle: 100°	CRI: Ra > 80
CCT: 6500-7000K	IP Rating: IP65	Charging time: 6-8 h	Discharging time: 8-12 h
Control mode: light control + remote control+radar sensor		Solar panel type: monocrystalline silicon	
Wattage:	20W	40W	60W
Dimension(mm):	185*360	200*470	200*600
Battery capacity:	3.2V/4.5AH	3.2V/8AH	3.2V/12AH



UT-60-03301

Product Description

Colour: Black



UT-60-03301~3

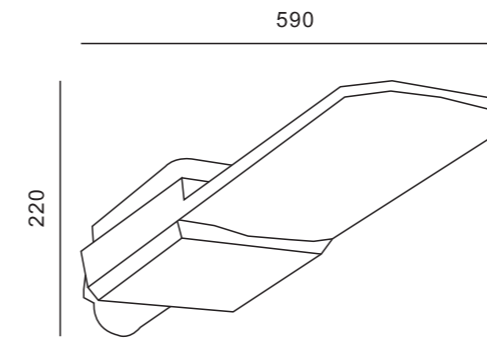
Materials: ABS engineering plastics	LED: San an	Beam Angle: 100°	CRI: Ra > 80
CCT: 6500-7000K	IP Rating: IP65	Charging time: 6-8 h	Discharging time: 8-12 h
Control mode: light control + remote control+radar sensor		Solar panel type: monocrystalline silicon	
Wattage:	90W	120W	150W
Dimension(mm):	240*70*495	260*70*635	735*235*70
Battery capacity:	3.2V/8AH	3.2V/10AH	3.2V/12AH



UT-60-03401

Product Description

Colour: Grey



UT-60-03401~3

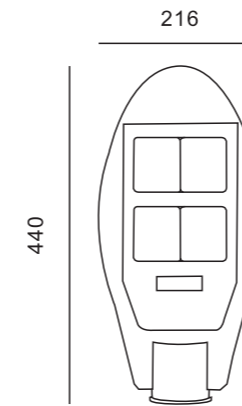
Materials: Aluminum+PC	LED: San an	Beam Angle: 100°	CRI: Ra > 80			
CCT: 6500-7000K	IP Rating: IP65	Charging time: 6-8 h	Discharging time: 8-12 h			
Control mode: light control + remote control		Solar panel type: monocrystalline silicon				
Wattage:	100W	150W	200W	300W	400W	500W
Dimension(mm):	210*215*80	510*215*80	510*215*80	590*220*90	590*220*90	590*220*90
Battery capacity:	3.2V/12AH	3.2V/18AH	3.2V/24AH	3.2V/24AH	3.2V/30AH	3.2V/40AH



UT-60-00701

Product Description

Colour: Black



UT-60-00701~7

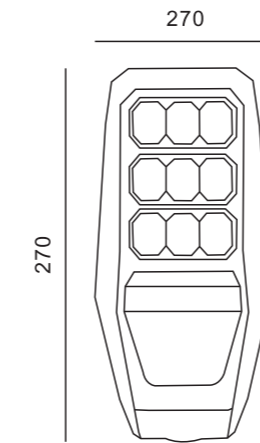
Materials: ABS engineering plastics	LED: San an	Beam Angle: 100°	CRI: Ra > 80				
CCT: 9000K	IP Rating: IP65	Charging time: 5-6 h	Discharging time: 6-12 h				
Control mode: light control+radar sensor	Type of solar panel: polysilicon						
Wattage:	200W	400W	600W	800W	400W	600W	800W
Dimension(mm):	292*146*39	440*216*52	564*239*52	658*260*52	440*216*52	564*239*52	658*260*52
Solar panel power:	3W6V	6W6V	8W6V	12W6V	15W6V	20W6V	25W6V
Battery capacity:	3.2V 2AH	3.2V 5AH	3.2V 9AH	3.2V 12AH	3.2V 6AH	3.2V 15AH	3.2V 18AH



UT-60-00801

Product Description

Colour: Black



UT-60-00801~3

Materials: ABS engineering plastics LED: San an Beam Angle: 100° CRI: Ra > 80 Solar panel: polysilicon

CCT: 6500K-7500K IP Rating: IP65 Charging time: 6-8 h Discharging time: 3 overcast and rainy days

Control mode: remote control + light control + radar sensor

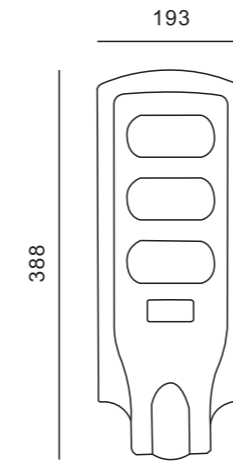
Wattage:	100W	200W	300W
Dimension(mm):	530*270*70	645*300*70	750*300*70
Solar panel power:	4V/10W	4V/15W	4V/18W
Battery capacity:	3.2V/12AH	3.2V/18AH	3.2V/24AH



UT-60-01101

Product Description

Colour: Black



UT-60-01101~4

Materials: ABS engineering plastics LED: San an Beam Angle: 100° CRI: Ra > 80

CCT: 3000K/4500K/6000K IP Rating: IP65 Charging time: 6-8 h Discharging time: 2-3 days

Control mode: remote control + light sensor+radar sensor Type of solar panel: polysilicon

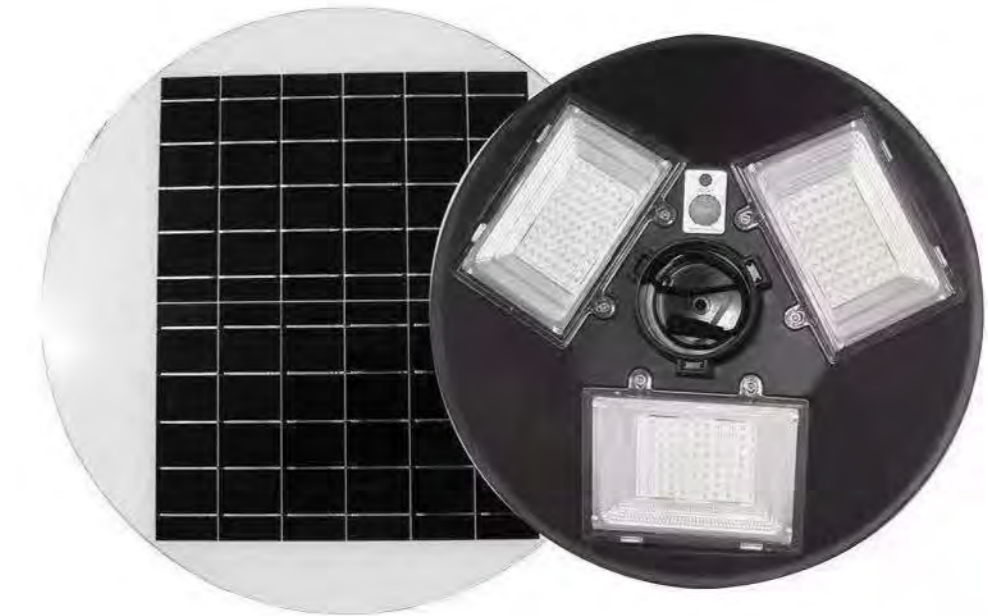
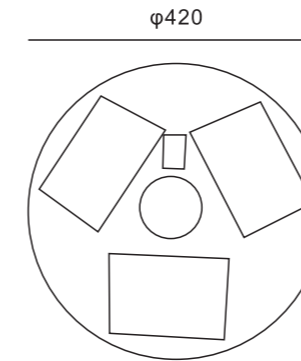
Wattage:	30W	60W	90W	120W
Dimension(mm):	210*400*58	485*220*58	625*240*58	765*240*58
Solar panel power:	6V 6W	6V 10W	6V 12W	6V 15W
Battery capacity:	3.2V/4AH	3.2V/8AH	3.2V/10AH	3.2V/12AH



UT-60-01201

Product Description

Colour: Black



UT-60-01201~3

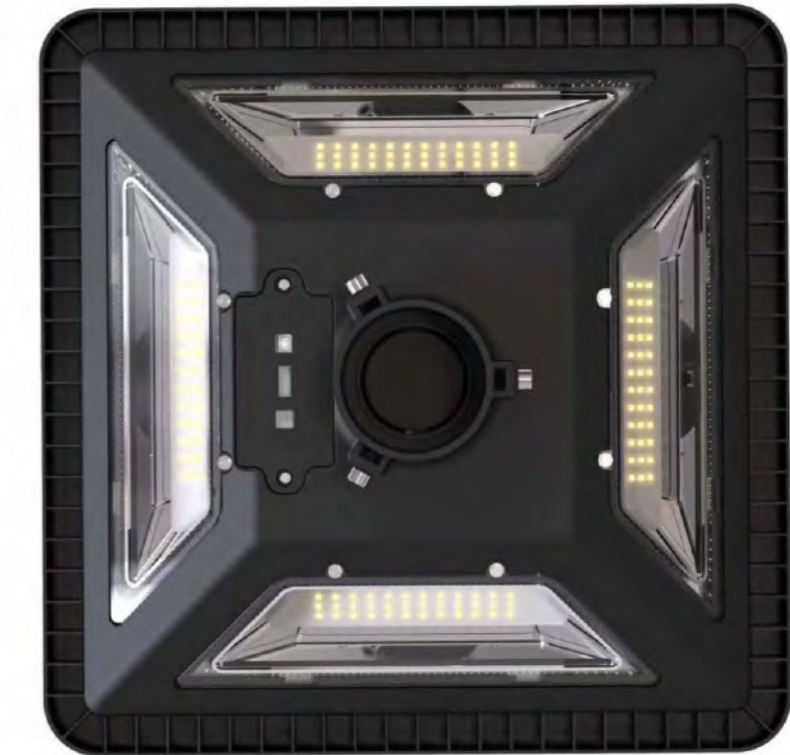
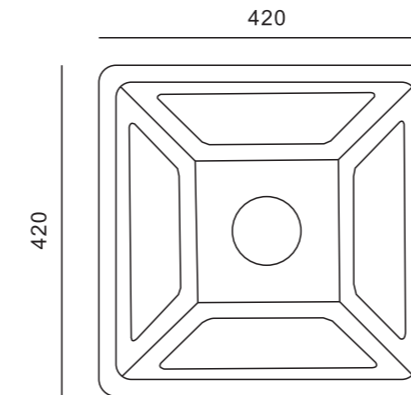
Materials: ABS engineering plastics	LED: San an	Beam Angle: 100°	CRI: Ra > 80
CCT: 3000K/4500K/6000K	IP Rating: IP65	Charging time: 5 h	Discharging time 2-3 days
Control mode: remote control + time control	Type of solar panel: polysilicon		
Wattage:	120W	180W	240W
Dimension(mm):	Ø420*H125	Ø460*H135	Ø550*H125
Solar panel power:	6V/18W	6V/22W	6V/25W
Battery capacity:	3.2V/15AH	3.2V/18AH	3.2V/20AH



UT-60-01301

Product Description

Colour: Black



UT-60-01301

Materials: ABS engineering plastics LED: San an Beam Angle: 100° CRI: Ra > 80

CCT: 3000K/4500K/6000K IP Rating: IP65 Charging time: 6-8 h Discharging time: 2-3 days

Control mode: remote control Solar panel: polysilicon

Wattage: 300W Dimension(mm): 425*425*165 Solar panel power: 6V/30W

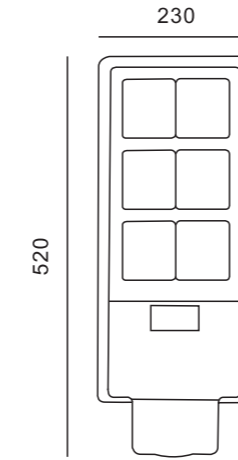
Battery capacity: 3.2V/20AH



UT-60-02001

Product Description

Colour: Black



UT-60-02001~3

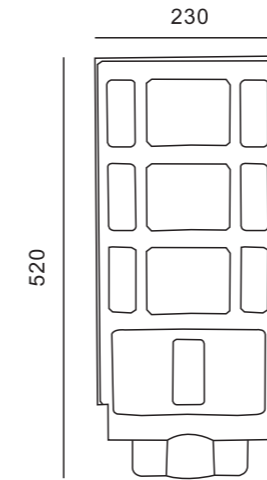
Materials:	ABS engineering plastics	LED:	San an	Beam Angle:	120°	CRI:	Ra > 80
CCT:	3000K/4500K/6000K	IP Rating:	IP65	Charging time:	5-6 h	Discharging time:	12-18 h
Control mode:	light control+radar sensing		Solar panel: polysilicon				
Wattage:	60W	90W	120W				
Dimension(mm):	230*60*520	250*60*635	255*60*735				
Solar panel power:	6V/9W	6V/12W	6V/18W				
Battery capacity:	3.2V/10AH	3.2V/15AH	3.2V/16AH				



UT-60-02101

Product Description

Colour: Black



UT-60-02101~4

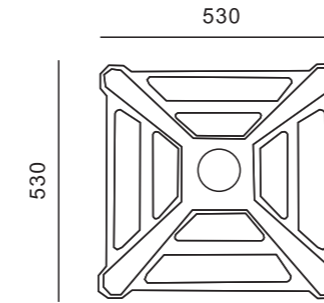
Materials:	ABS engineering plastics	LED:	Ju Can	Beam Angle:	120°	CRI:	Ra > 80
CCT:	RGB+K/6000K	IP Rating:	IP65	Charging time:	5-6 h	Discharging time:	10 h
Control mode:	light control+remote control+human body sensor RGB light			Solar panel:	polysilicon		
Wattage:	100W	150W	200W	250W			
Dimension(mm):	225*69*488	350*80*453	241*66*693	241*748*66			
Solar panel power:	5V/8W	5V/12W	5V/16W	5V/18W			
Battery capacity:	3.2V/8AH	3.2V/10AH	3.2V/16AH	3.2V/18AH			



UT-60-02201

Product Description

Colour: Black



UT-60-02201

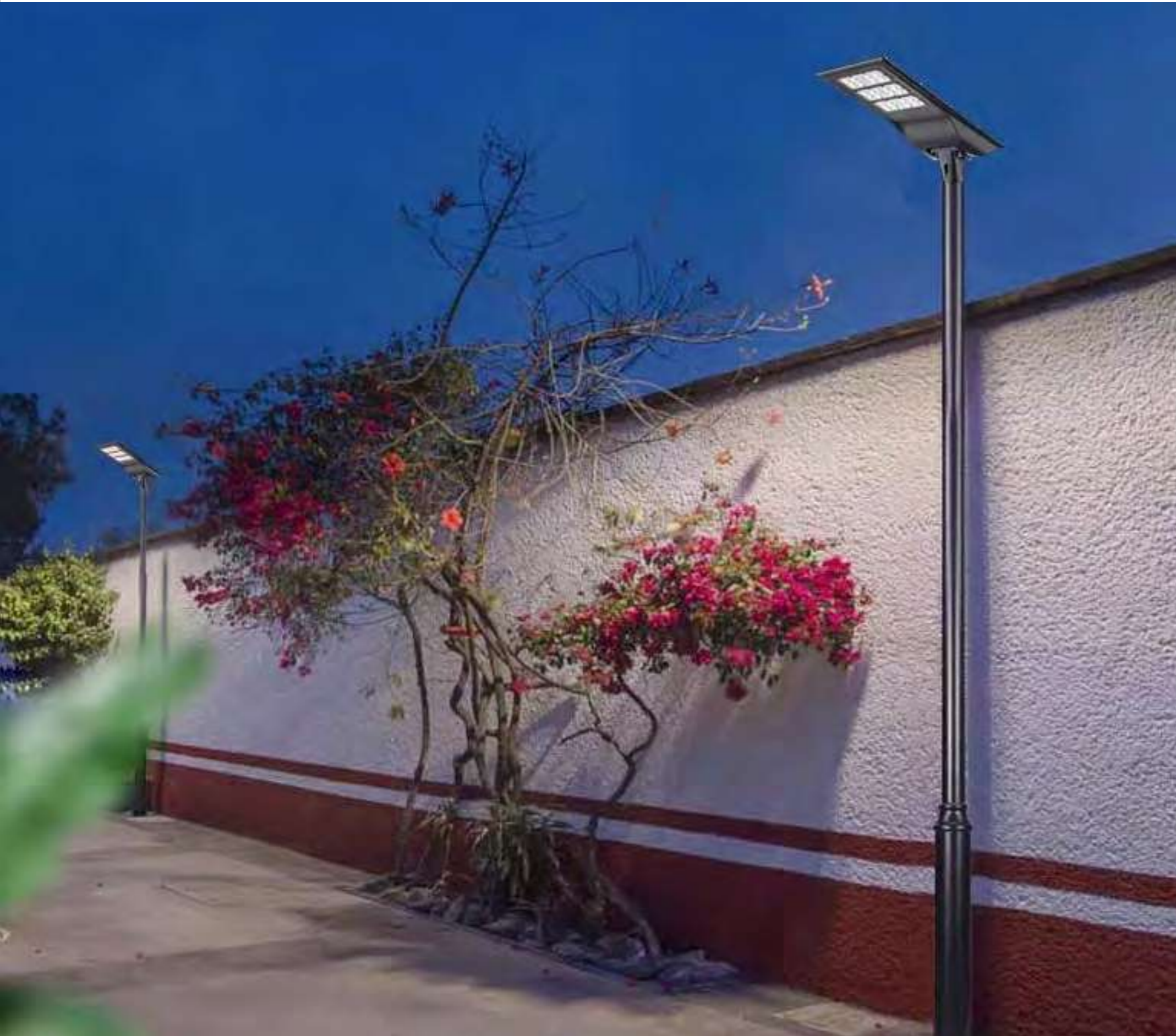
Materials: ABS engineering plastics LED: Ju Can Beam Angle: 120° CRI: Ra > 80

CCT: RGB+K/6000K IP Rating: IP65 Charging time: 6-8 h Discharging time: 10 h

Control mode: light control+remote control+human body sensor Type of solar panel: polysilicon

Wattage: 1.5W Dimension(mm): 530*530*130 Solar panel power: 5V/18W

Battery capacity: 3.2V/25AH



UT-60-036

Product Description

Colour: Black



UT-60-03602



UT-60-03601



UT-60-03603

UT-60-03604

UT-60-03605

UT-60-036

Materials:Die-casting Aluminum SMD Chips:SANAN 3030 Efficacy:100LM/W CCT:3000K-6500K Ip65

Item Number	UT-60-03601	UT-60-03602	UT-60-03603	UT-60-03604	UT-60-03605
Power	20W	30W	40W	60W	80W
Body Size(mm)	571*217*90mm	721*217*90mm	697*361*209mm	846*361*209mm	1096*361*209mm
Solor Power	18W	24W	40W	50W	65W
Power	18AH	24AH	40AH	50AH	65AH



UT-60-037

Product Description

Color: Gray



UT-60-037

Materials: Aluminum LED: SANAN CRI: Ra>80 IP Rating: IP65

CCT: 7000K Charging time: 6-8H Discharging time: 10-12H

Control mode: light control + remote control Solar panel type: monocrystalline silicon

Model:	UT-60-03701	UT-60-03702	UT-60-03703	UT-60-03704
--------	-------------	-------------	-------------	-------------

Wattage:	50W	100W	150W	200W
----------	-----	------	------	------

Dimension(mm):	630*235*87mm	710*235*87mm	880*235*87mm	1130*235*87mm
----------------	--------------	--------------	--------------	---------------

Solar panel power:	5V/15W	5V/18W	5V/23W	5V/30W
--------------------	--------	--------	--------	--------

Battery capacity:	3.2V/18AH	3.2V/24AH	3.2V/30AH	3.2V/36AH
-------------------	-----------	-----------	-----------	-----------



UT-60-038

Product Description

Colour: Black



UT-60-038

Materials: ABS LED:SANAN CRI: Ra>80 IP Rating:IP65

CCT:3000K/4000K/6500K Charging time: 4-6H Discharging time: 24-48H

Control mode: light control + remote control Solar panel type: monocrystalline silicon

Model:	UT-60-03801	UT-60-03802	UT-60-03803
--------	-------------	-------------	-------------

Wattage:	60W	120W	180W
----------	-----	------	------

Dimension(mm):	442*255*51mm	650*302*53mm	758*316*53mm
----------------	--------------	--------------	--------------

Solar panel power:	6V/8W	6V/15W	6V/20W
--------------------	-------	--------	--------

Battery capacity:	3.2V/6AH	3.2V/12AH	3.2V/18AH
-------------------	----------	-----------	-----------



UT-60-039

Product Description

Colour: Black



UT-60-039

Materials: ABS LED:SANAN CRI: Ra>80 IP Rating:IP65

CCT:6500K Charging time: 4-6H Discharging time: 10-12H

Control mode: light control + remote control Solar panel type: monocrystalline silicon

Model:	UT-60-03901	UT-60-03902	UT-60-03903
--------	-------------	-------------	-------------

Wattage:	100W	200W	300W
----------	------	------	------

Dimension(mm):	560*342*80mm	715*342*80mm	900*342*80mm
----------------	--------------	--------------	--------------

Solar panel power:	6V/25W	6V/35W	6V/45W
--------------------	--------	--------	--------

Battery capacity:	3.2V/18AH	3.2V/25AH	3.2V/30AH
-------------------	-----------	-----------	-----------



UT-60-040

Product Description

Colour: Sand Gray



UT-60-040

Materials: Die-casting Aluminum CRI: Ra>80 IP Rating:IP65

CCT:6500K Charging time: 5-6H Discharging time: 12-14H

Control mode: light control + remote control Solar panel type: Polysilicon

Model:	UT-60-04001	UT-60-04002	UT-60-04003
--------	-------------	-------------	-------------

Wattage:	200W	300W	400W
----------	------	------	------

Dimension(mm):	530*250*90mm	530*250*90mm	530*250*90mm
----------------	--------------	--------------	--------------

Solar panel power:	6V/15W	6V/20W	6V/25W
--------------------	--------	--------	--------

Battery capacity:	3.2V/15AH	3.2V/20AH	3.2V/25AH
-------------------	-----------	-----------	-----------

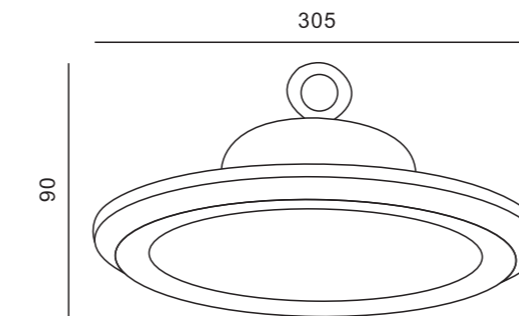


UT-62-00001

Product Description

input:AC85-277V 50/60Hz

Colour: Grey/Black



UT-62-00001~4

Materials: Aluminum LED: San an Beam Angle: 110°

CRI: Ra > 80 CCT: 3000K-6000K IP Rating: IP65

Wattage: 100W 150W 200W 300W

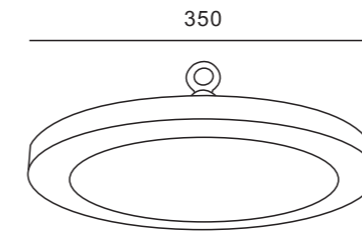
Dimension(mm): Φ250*90 Φ305*90 Φ360*90 Φ405*90



UT-62-00002

Product Description

input:AC85-277V 50/60Hz
Colour: Grey/Black



UT-62-00002~6

Materials: Aluminum	LED: San an	Beam Angle: 110°	CRI: Ra > 80	CT: 3000K-6000K	IP Rating: IP65	
Wattage:	50W	100W	150W	200W	240W	300W
Dimension(mm):	Φ 250	Φ 250	Φ 300	Φ 350	Φ 350	Φ 400



UT-70-001

Product Description

Input:AC100-240V 50/60Hz

Color: Black



UT-70-001

Materials:Aluminum+PC CCT:2800-7000K IP Rating: IP65 PF>0.9

Model: UT-70-00101 UT-70-00102 UT-70-00103

Wattage: 100W 150W 200W

Dimension(mm): Φ260*32mm Φ300*32mm Φ360*32mm